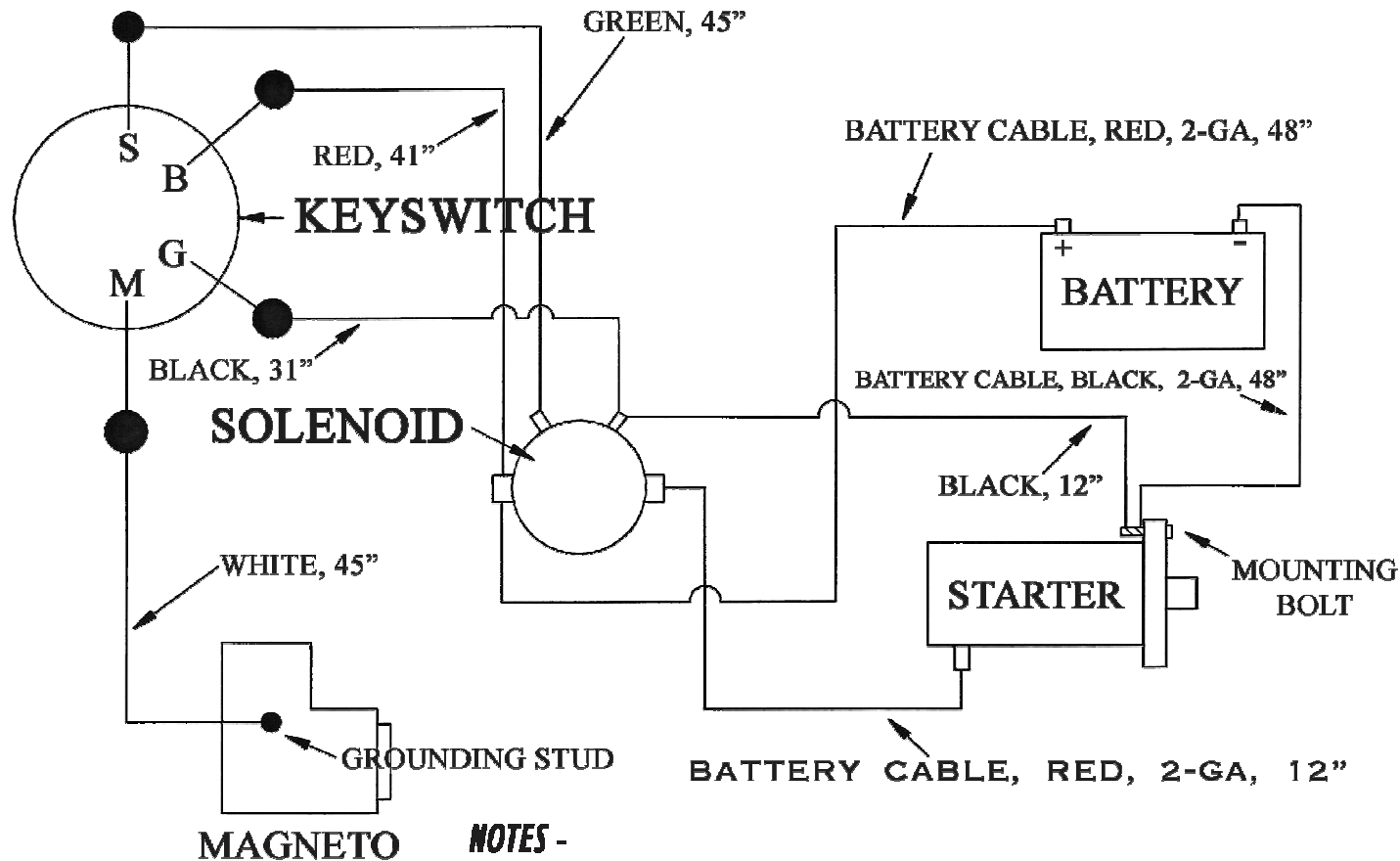


GRAVELY L-SERIES KEYSWITCH STARTING SYSTEM - WIRING DIAGRAM -



NOTES -

- * ALL WIRES CONNECTED DIRECTLY TO SWITCH ARE 16-GAUGE, STRANDED.
- * CABLES CONNECTING TO BATTERY TO HAVE CORRECT END FOR BATTERY, AND LUG-STYLE CONNECTOR ON OTHER END.
- * GROUND CABLE CONNECTING BATTERY TO STARTER WILL NEED THE LUG CONNECTOR BENT IN A VISE TO A 90-DEGREE ANGLE.
- * CABLE CONNECTING SOLENOID TO STARTER TO HAVE LUG CONNECTORS ON BOTH ENDS.
- * USE MARINE-GRADE, CONTINUOUS-DUTY CYCLE SOLENOID ONLY!

GT
Enterprises

www.gtgravelyparts.com